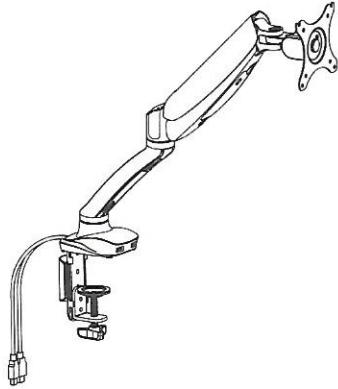


Easy



Item No.:9540017

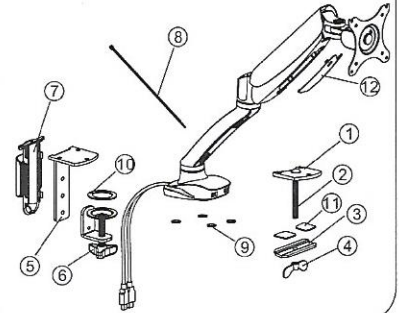
Installation guide



M4X12MM A (4PCS) M5X12MM B (4PCS) M6X12MM C (3PCS) M6X10MM D (2PCS) $\varnothing 6.5 \times \varnothing 13 \times 1.8$ F (8PCS)

4X4 Allen key G (1PCS) 5X5 Allen key H (1PCS)

① Bottom support 1	1PCS	1
② Screw	1PCS	
③ Washer	1PCS	
④ Butterfly knob	1PCS	2
⑤ Bottom support 2	1PCS	
⑥ Knob	1PCS	3
⑦ Cable cover 1	1PCS	
⑧ Nylon ties	6PCS	
⑨ Anti-slip rubber 1	4PCS	3
⑩ Anti-slip rubber 2	1PCS	
⑪ Anti-slip rubber 3	2PCS	
⑫ Cable cover 2	1PCS	



VESA
100x100
75x75

10°-27°

max
4-10kg

85°-15°

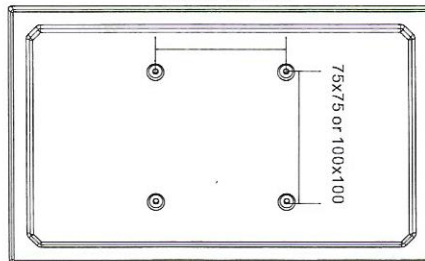


STEP1

Preparations before installing monitor

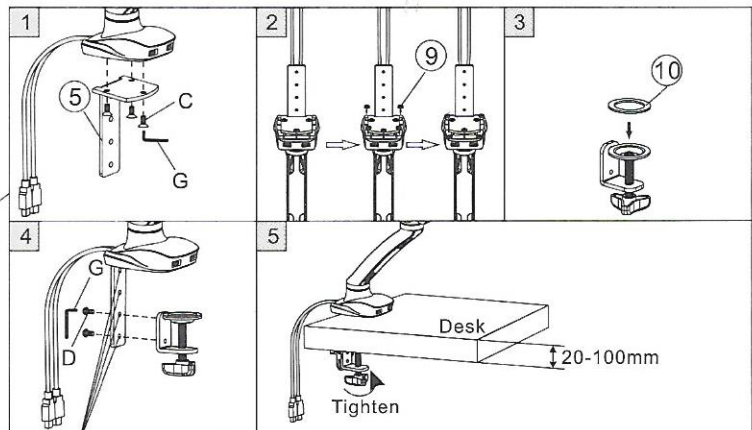
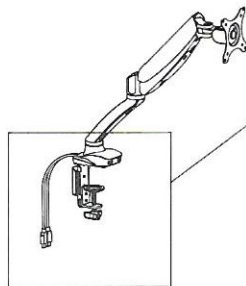
1. Make sure there are VESA holes 100x100mm or 75x75mm in the monitor. If not, the mount couldn't be installed.
2. Remove the original fixed base of monitor. Be careful not to scratch the screen.

75x75 or 100x100



STEP2-A

Option 1: Install the bracket to the desk



⚠ For table thickness:20-100mm
Select right holes according
to the thickness of desk

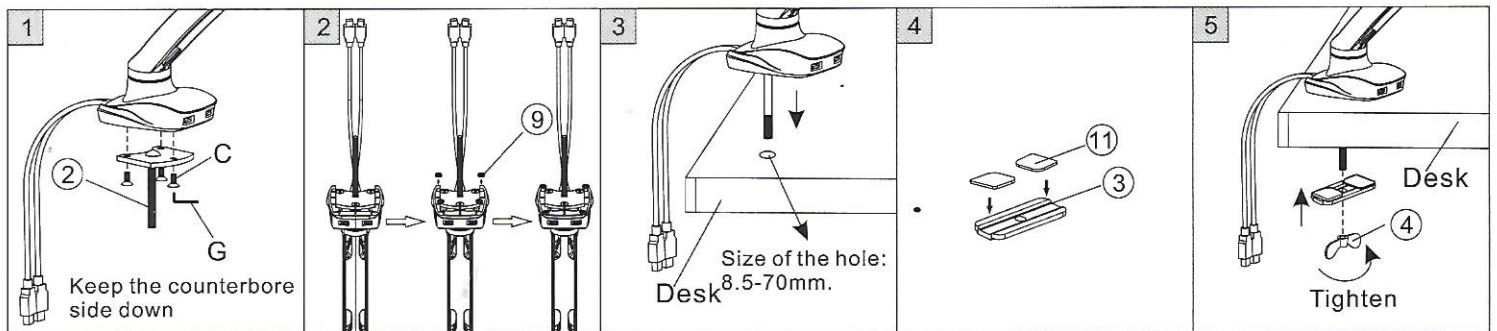
KIMEIKA

Paremmen työväen kalustaja

STEP 2-B

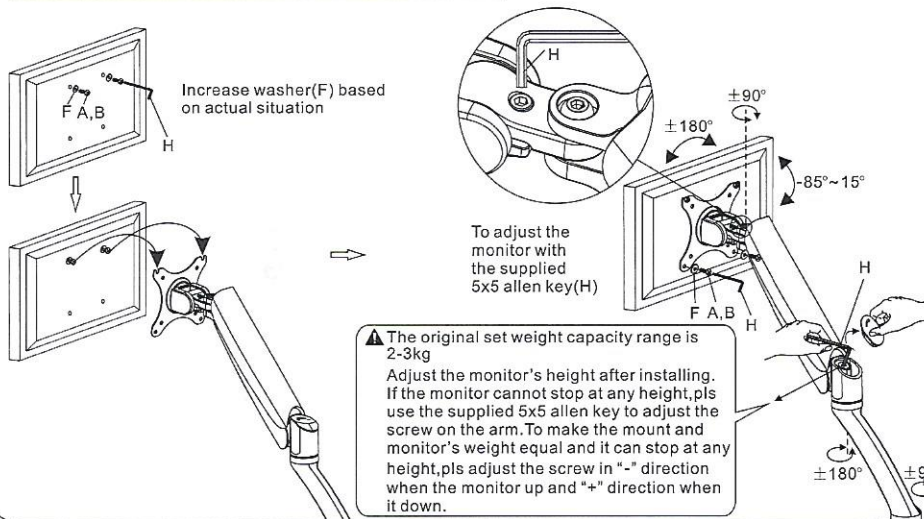
Option 2: Install the bracket to the desk

▲ For table thickness: 20-90mm



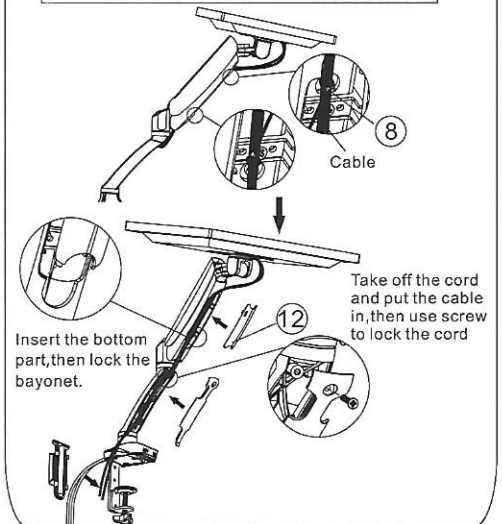
STEP 3

Attaching the monitor to the plate



STEP 4

Using cord management



STEP 5

Attach the data cable to the USB port

